



1000M Ethernet Transformer

You can rest assured to buy 1000M Ethernet Transformer from JASN factory and we will offer you the best after-sale service and timely delivery. The PN G48C22S provide 1000M speed rate and has SMD package.

Model:G48C22S

You can rest assured to buy customized 1000M Ethernet Transformer from JASN. We look forward to cooperating with you, if you want to know more, you can consult us now, we will reply to you in time!

Feature

Compliant with IEEE 802.3ab standard.

Comply with RoHS requirements.

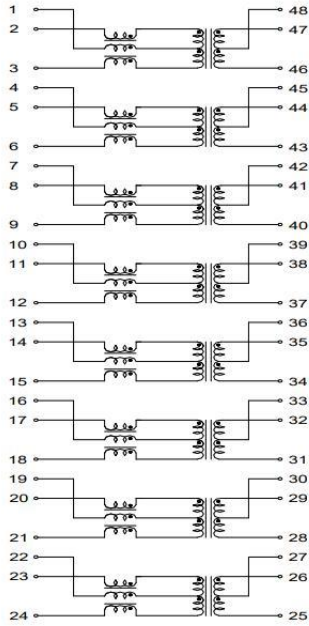
Operating temperature range: 0°C to +70°C.

Storage temperature range: -25°C to +105°C.

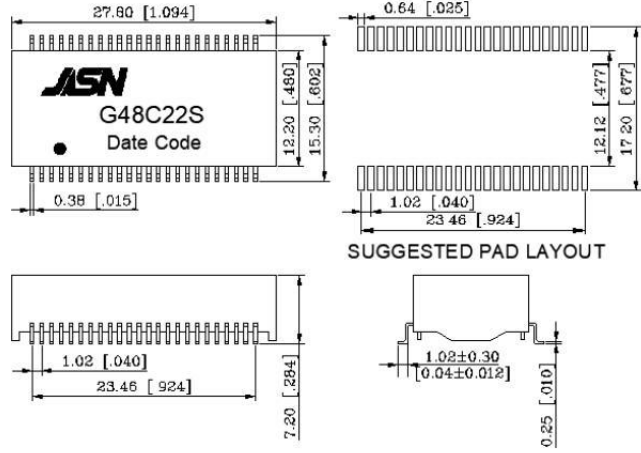
Electrical Specifications @ 25°C

OCL:	350uH Min. @100KHz/0.1V with 8mA DC Bias				
Hi-POT :	1500Vrms				
Turn Ratio:	1:1±3%				
LK:	0.5uH Max @100KHz/0.2V				
Cw/w	35PF Max @100KHz/0.2V				
D.C.R:	1.2 ohm Max				
Insertion Loss:	1-100MHz: -1.0dB Max				
Cross Talk :	1-100MHz: -30dB Min				
CMRR	1-30MHZ	30-60MHZ		60-100MHZ	
	-42dB Min	-37dB Min		-33dB Min	
Return Loss:	1-30MHz	40MHz	50MHz	60-80MHZ	80-100MHZ
	-18dB Min	-14.4dB Min	-13.1dB Min	-12dB Min	-10dB Min

Schematic



Mechanical



Unless otherwise specified, all tolerances are ±0.25